

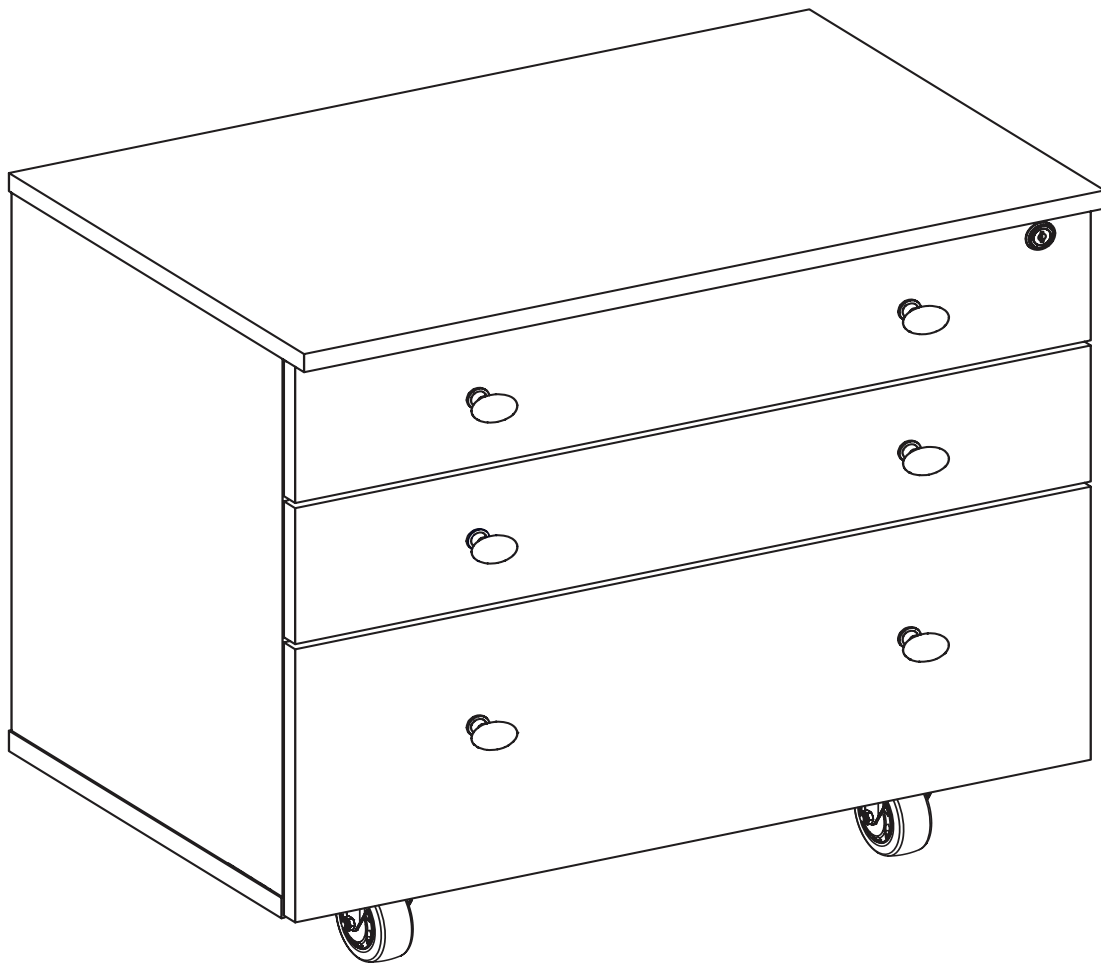


**KANGAROO**<sup>™</sup>  
sewing furniture

## ASSEMBLY INSTRUCTIONS

# Joey

**ITEM NO.:** K7805 Teak  
K7807 Gray  
K7811 Ash White



# General Assembly Guidelines

1. Read the instructions carefully before beginning the assembly process to ensure proper assembly of this product. Please open and inspect the contents of box(es) to see that all parts and hardware are included.

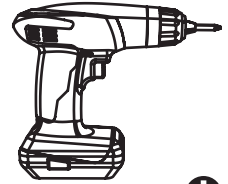
## 2. Tools Required



Phillips Screwdriver ⊕

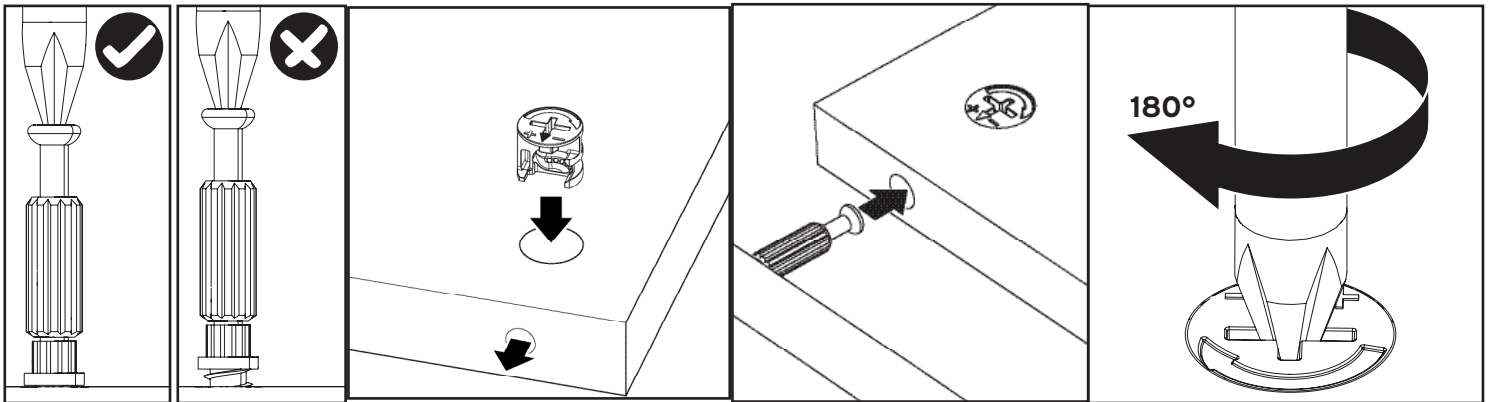


Hammer



Electric Screwdriver ⊕  
Torque set to 3-5

## 3. Understanding How the Cam Fastener Works



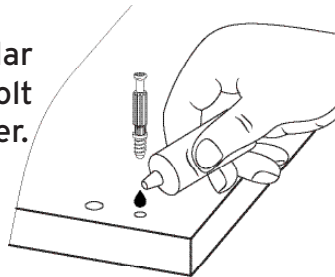
Screw cam bolts flush as illustrated.

Press cam into hole until flush with surface. The arrow direction must be in the direction of the hole.

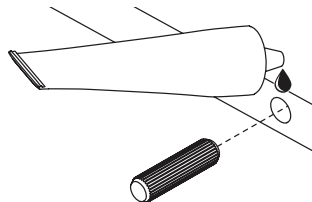
Insert bolt through pre-drilled hole in edge of panel.

Turn clockwise to lock cam with bolt.

**Tip:** place a small bit of WD-40 or similar lubricant into the pre-installed cam bolt holes to help the cam bolts screw in better.



4. **Glue** provided is to secure wood dowels in place and is optional. If glue is used during assembly, locate the appropriate hole for the dowel, place a small amount of glue in the hole and insert the dowel. Wipe away excess glue immediately. It is not necessary to glue the other end of the dowel when attaching to other parts.

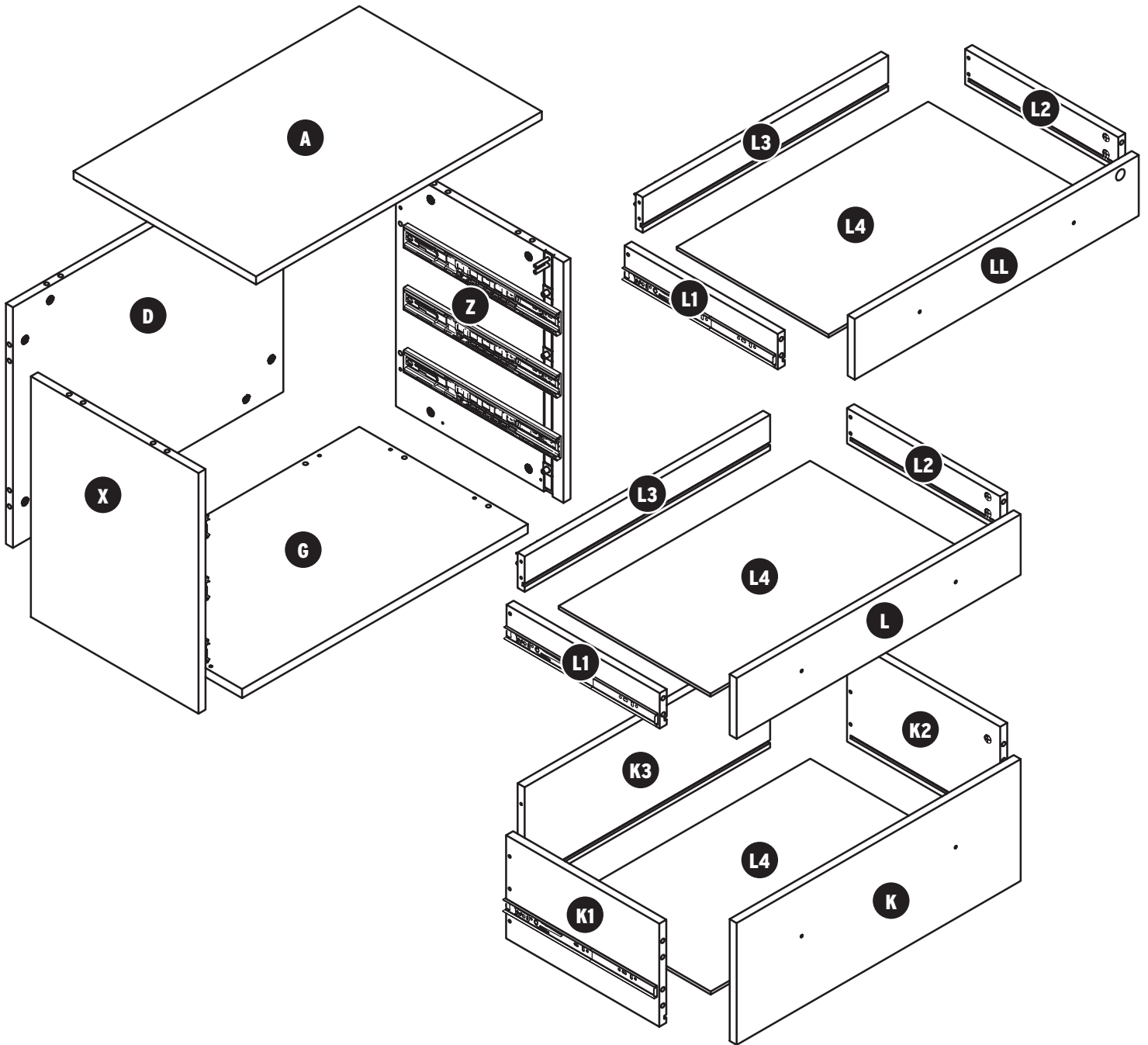


## Use and Care

Your cabinet normally requires a minimum amount of maintenance; however, it is worth noting the following for regular cleaning:

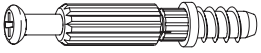
To remove marks and enhance the surface, wipe with a gentle all-purpose cleanser. **DO NOT** use ammonia-based, harsh chemicals or abrasive cleaning agents. Wipe dry immediately.

# Parts List: Panels



ITEM	DESCRIPTION	QTY.	PACK.	ITEM	DESCRIPTION	QTY.	PACK.
A	Top Panel	1	1 of 1	L2	Small Right Drawer Side	2	1 of 1
G	Bottom panel	1	1 of 1	L3	Small Drawer Back	2	1 of 1
D	Back panel	1	1 of 1	L4	Drawer Bottom	3	1 of 1
X	Left side panel	1	1 of 1	K	Large Drawer Front	1	1 of 1
Z	Right side panel	1	1 of 1	K1	Large Left Drawer Side	1	1 of 1
L	Small Drawer Front	1	1 of 1	K2	Large Right Drawer Side	1	1 of 1
LL	Small Locking Drawer Front	1	1 of 1	K3	Large Drawer Back	1	1 of 1
L1	Small Left Drawer Side	2	1 of 1				

# Parts List: Hardware



**c1** 6x35 Cam Bolt **x28**



**c2**  $\frac{5}{8}$ " Cam Cover **x28**



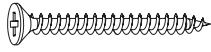
**d1** 8x30 Dowel Pin **x20**



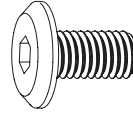
**b2** 4x20 Fix Bolt **x6**



**s1** 3.5x14 Screw **x2**



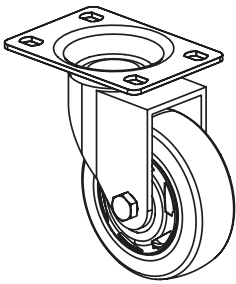
**s3** 3.5x35 Screw **x14**



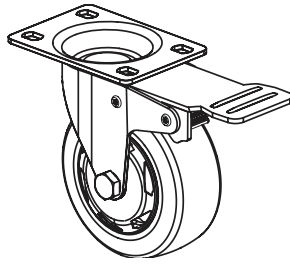
**b1** 8x16 Fix Bolt **x16**



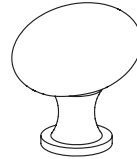
**a** Allen Wrench **x1**



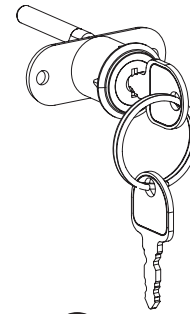
**t1** Plate Caster **x2**



**t4** Locking Plate Caster **x2**



**h1** Knob **x6**



**L** Lock **x1**  
Key **x2**

## Pre-installed parts



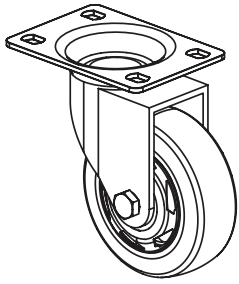
**c5** Cam



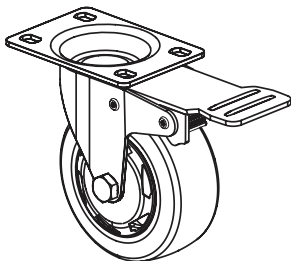
Drawer Runners

# Part 1: Cabinet Shell

We can't wait to get your brand new Joey Storage Cabinet up and running. Please contact our Customer Service Team at 1-800-533-7347, ext. 1 during normal business hours with any assembly related questions.



**t1** Plate Caster **x2**



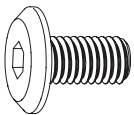
**t4** Locking Plate Caster **x2**



**c1** 6x35 Cam Bolt **x6**

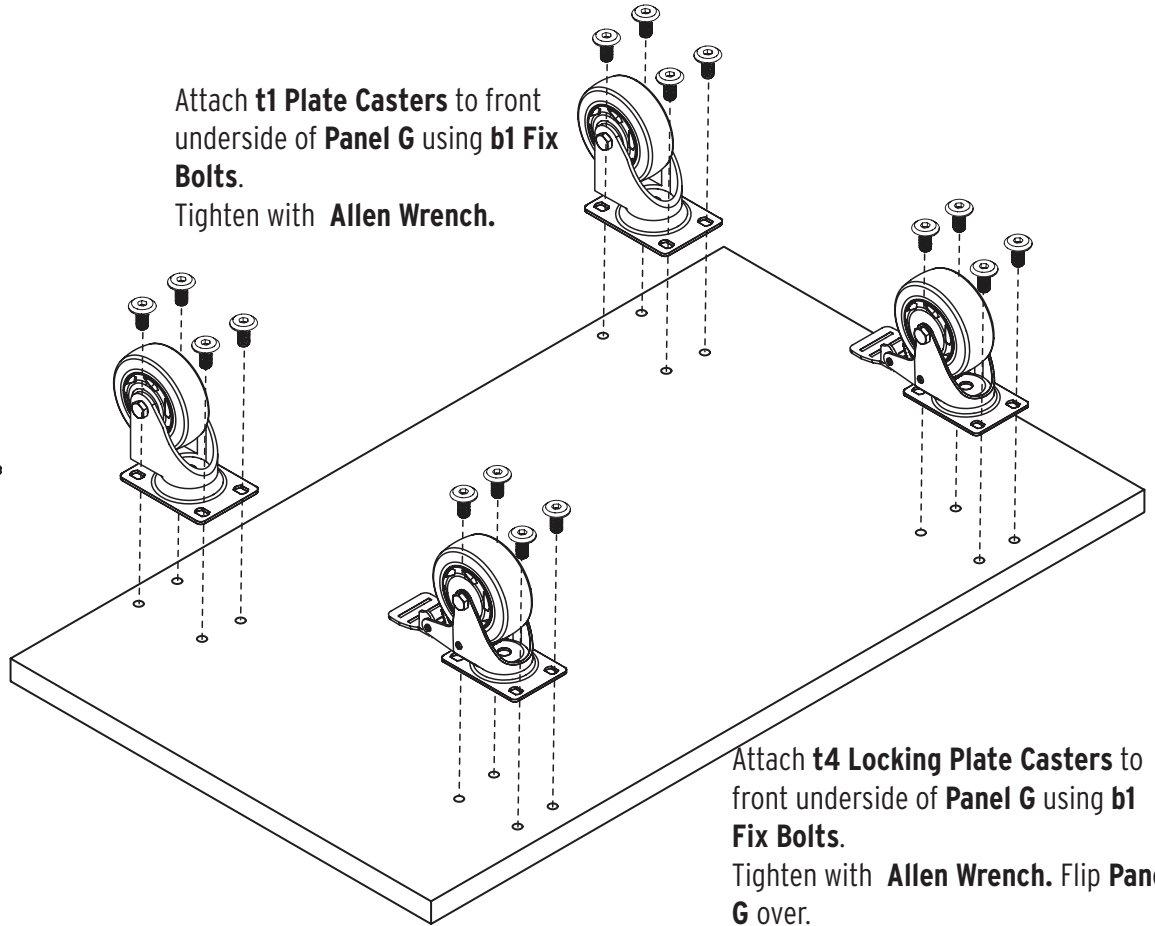


**a** Allen Wrench **x1**



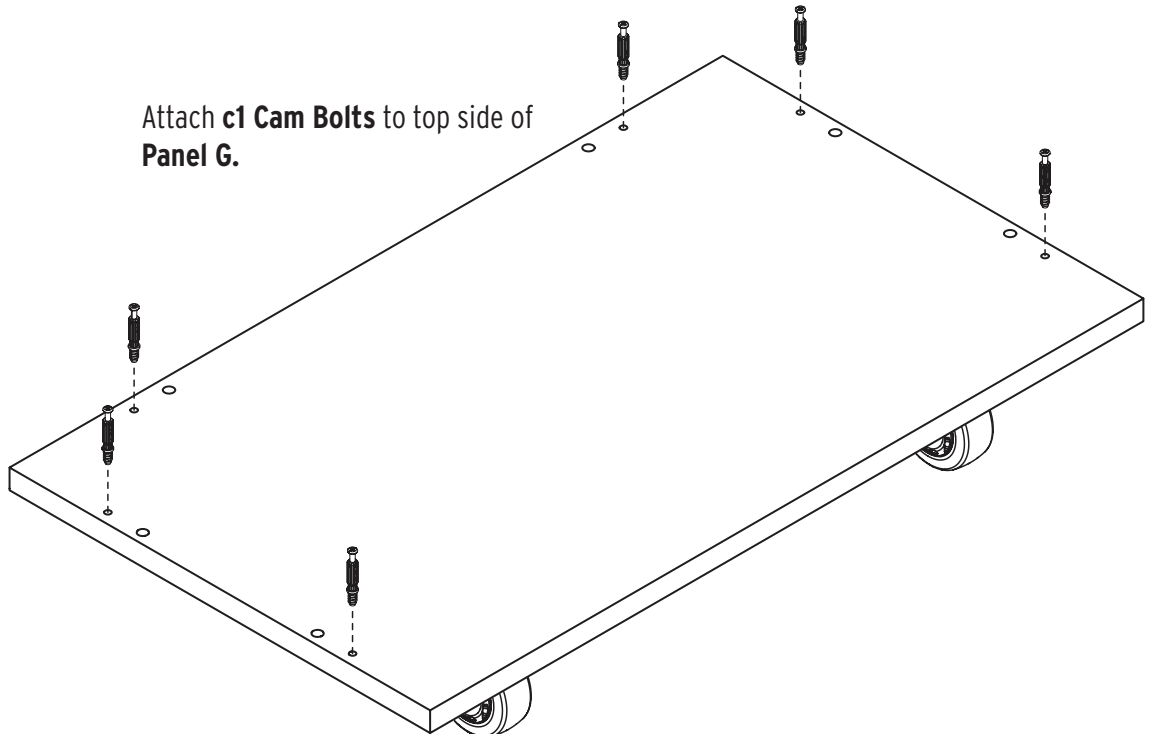
**b1** 8x16 Fix Bolt **x16**

Attach **t1** Plate Casters to front underside of **Panel G** using **b1** Fix Bolts.  
Tighten with **Allen Wrench**.



Attach **t4** Locking Plate Casters to front underside of **Panel G** using **b1** Fix Bolts.  
Tighten with **Allen Wrench**. Flip **Panel G** over.

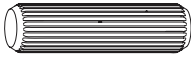
Attach **c1** Cam Bolts to top side of **Panel G**.



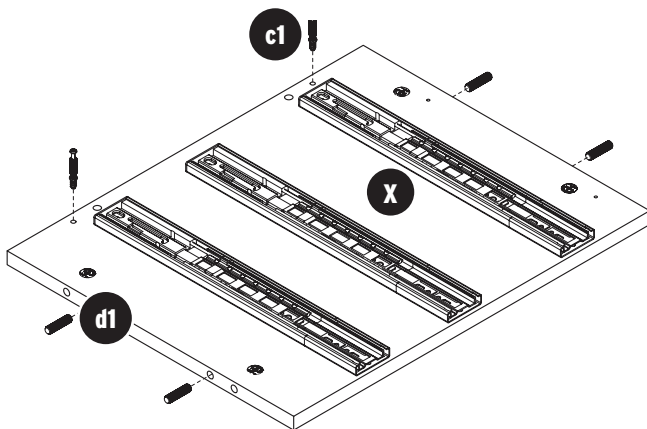
# Part 1: Cabinet Shell



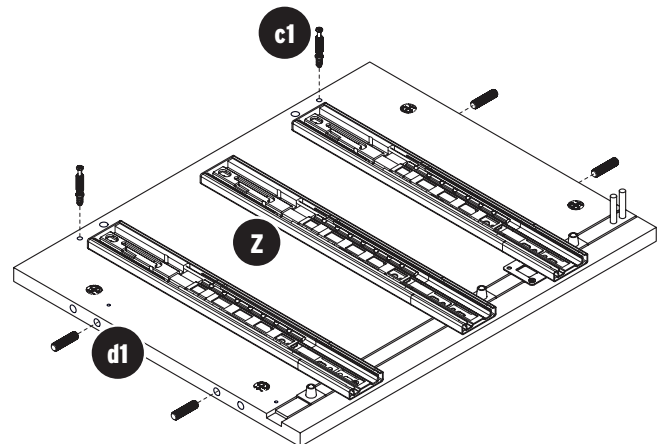
**c1** 6x35 Cam Bolt **x4**



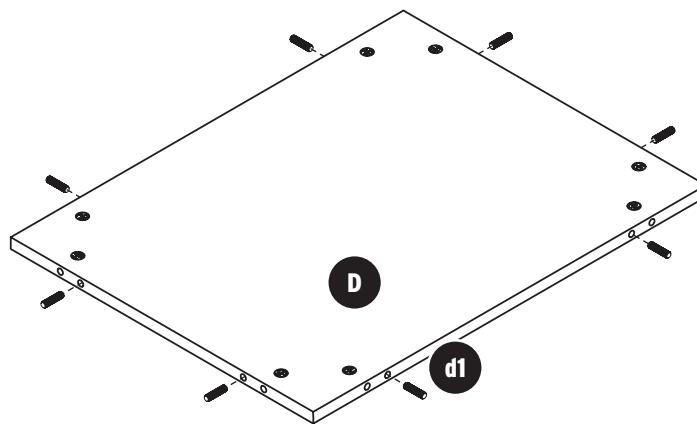
**d1** 8x30 Dowel Pin **x16**



Attach **c1** Cam Bolts to **Panel X**  
Insert **d1** Dowels into edges of **Panel X**

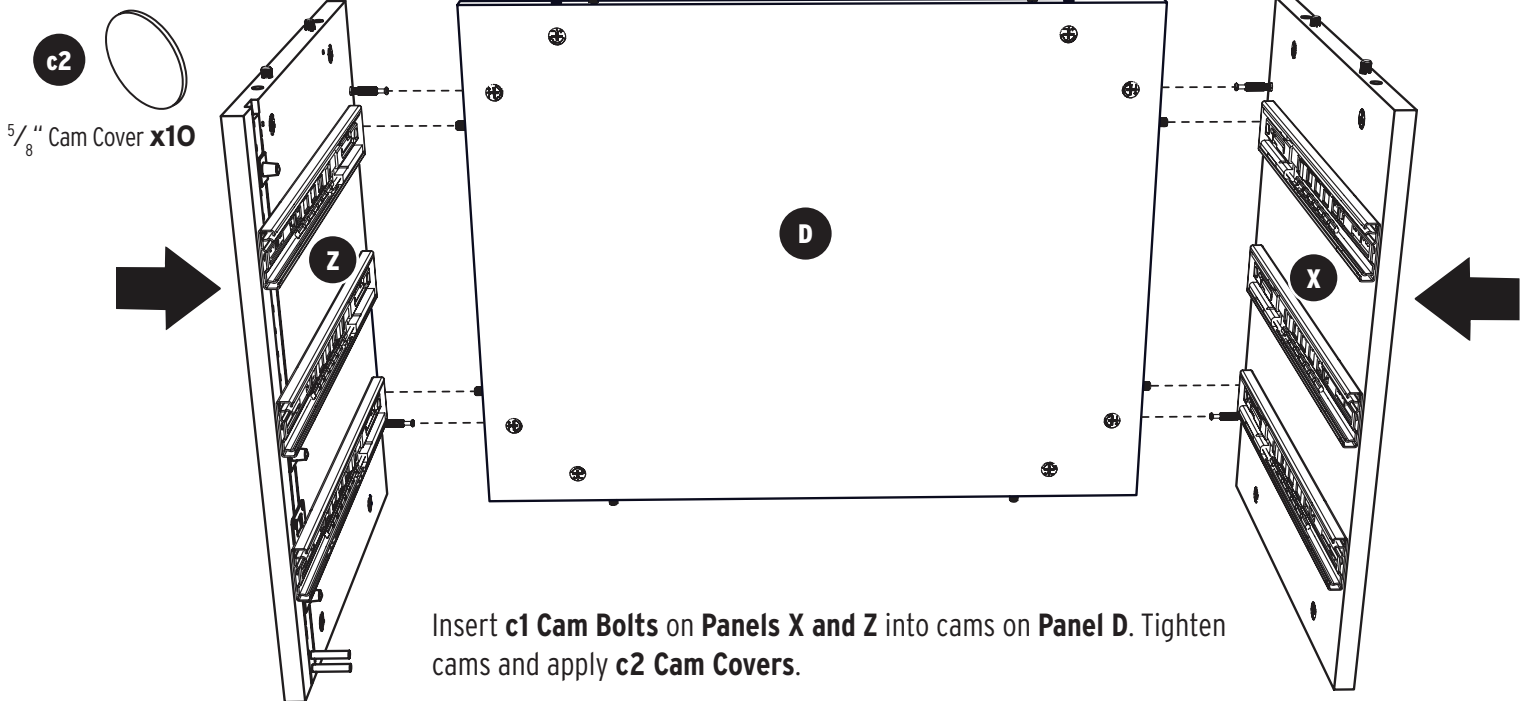


Attach **c1** Cam Bolts to **Panel Z**  
Insert **d1** Dowels into edges of **Panel Z**



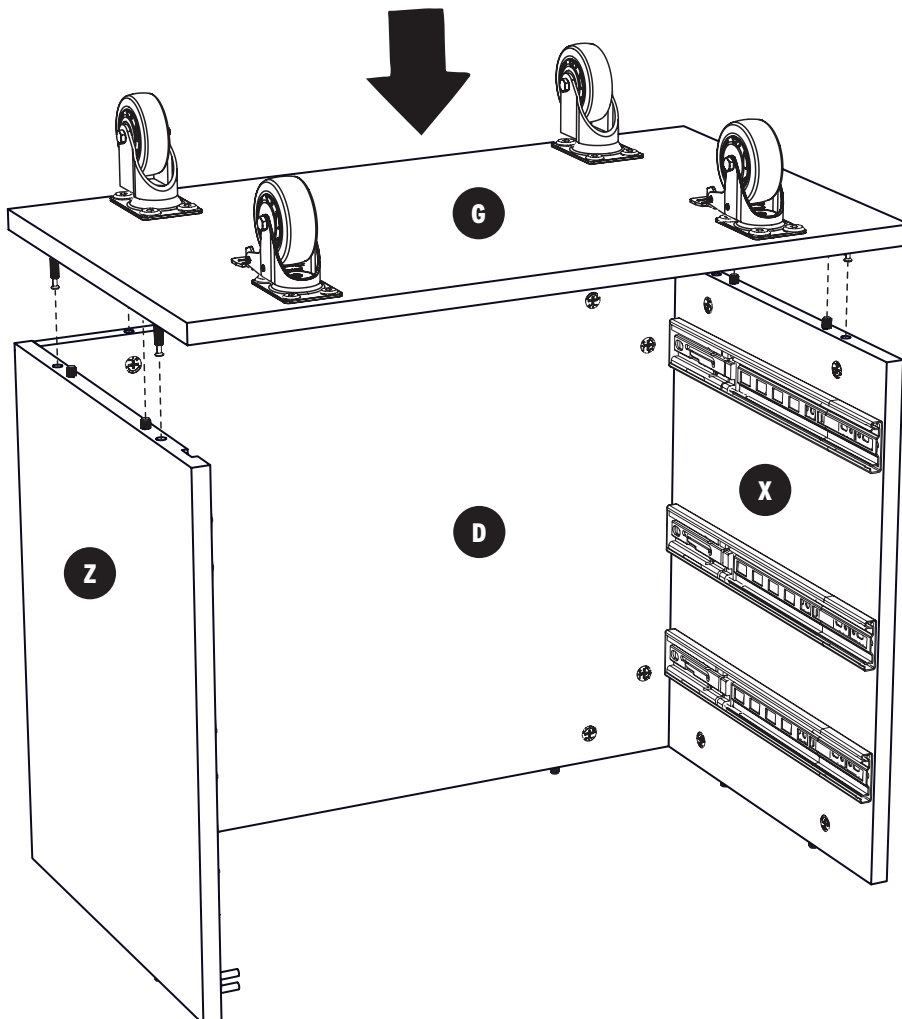
Insert **d1** Dowels into edges of **Panel D**

# Part 1: Cabinet Shell



Insert **c1 Cam Bolts** on **Panels X and Z** into cams on **Panel D**. Tighten cams and apply **c2 Cam Covers**.

**NOTE:** The above illustration shows panels being assembled upside down. This is important for the next step.

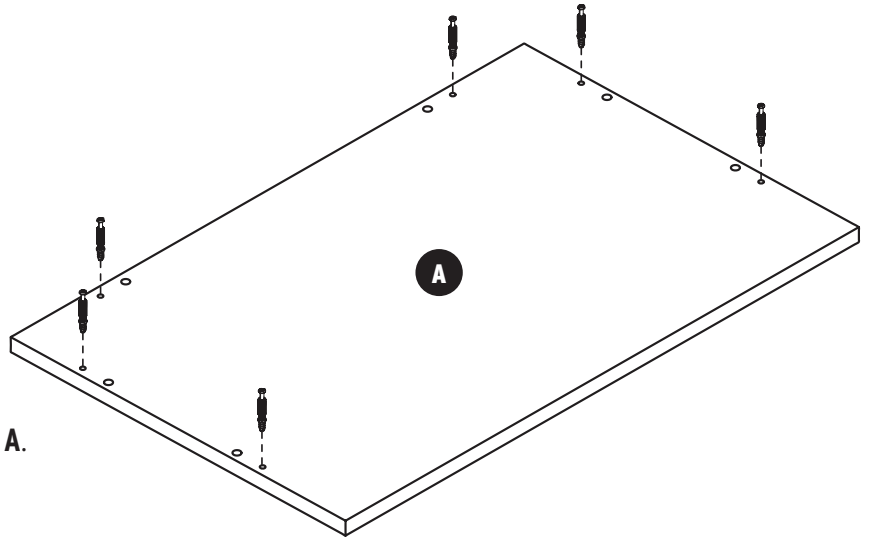
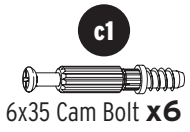


Attach **Panel G** to **Panels D, X and Z** as shown. Tighten cam locks and apply **c2 Cam Covers**.

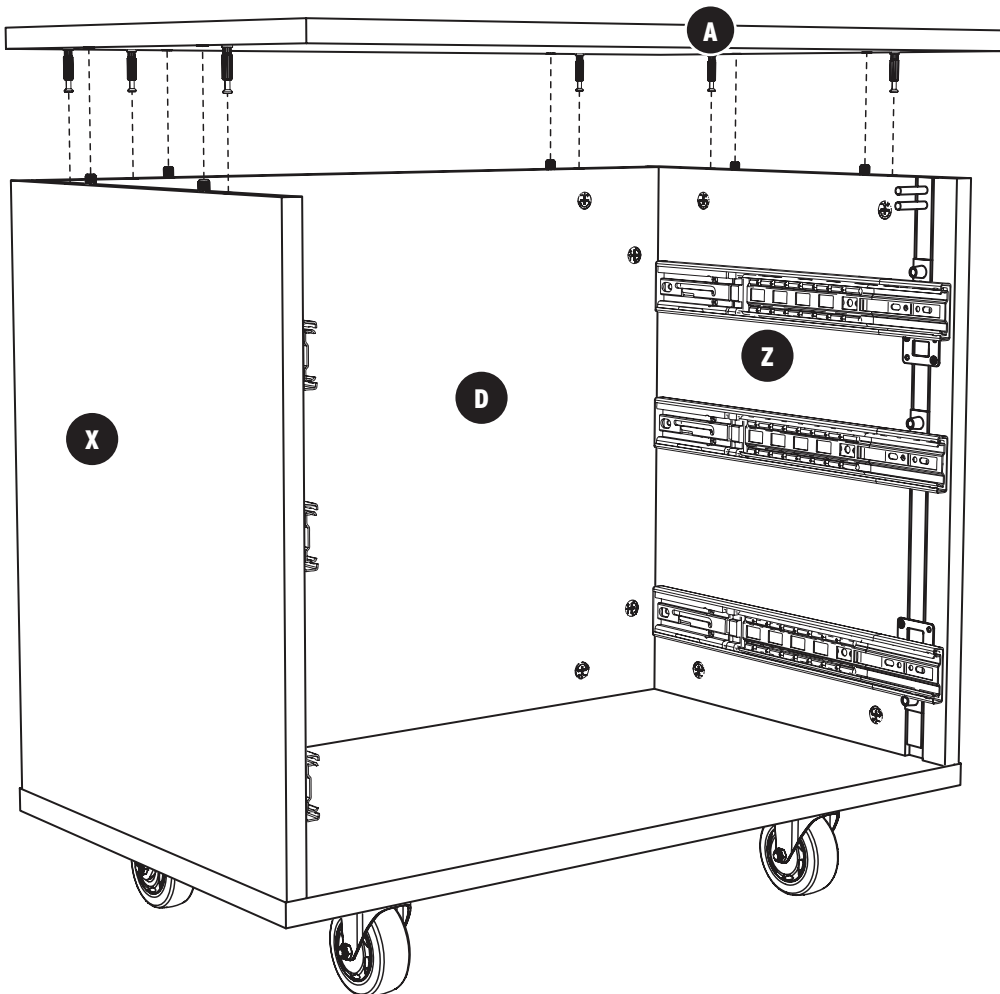
Make sure the casters are locked and turn the cabinet over onto its wheels.

**NOTE:** You may need a friend to help you, but it is not required.

# Part 1: Cabinet Shell



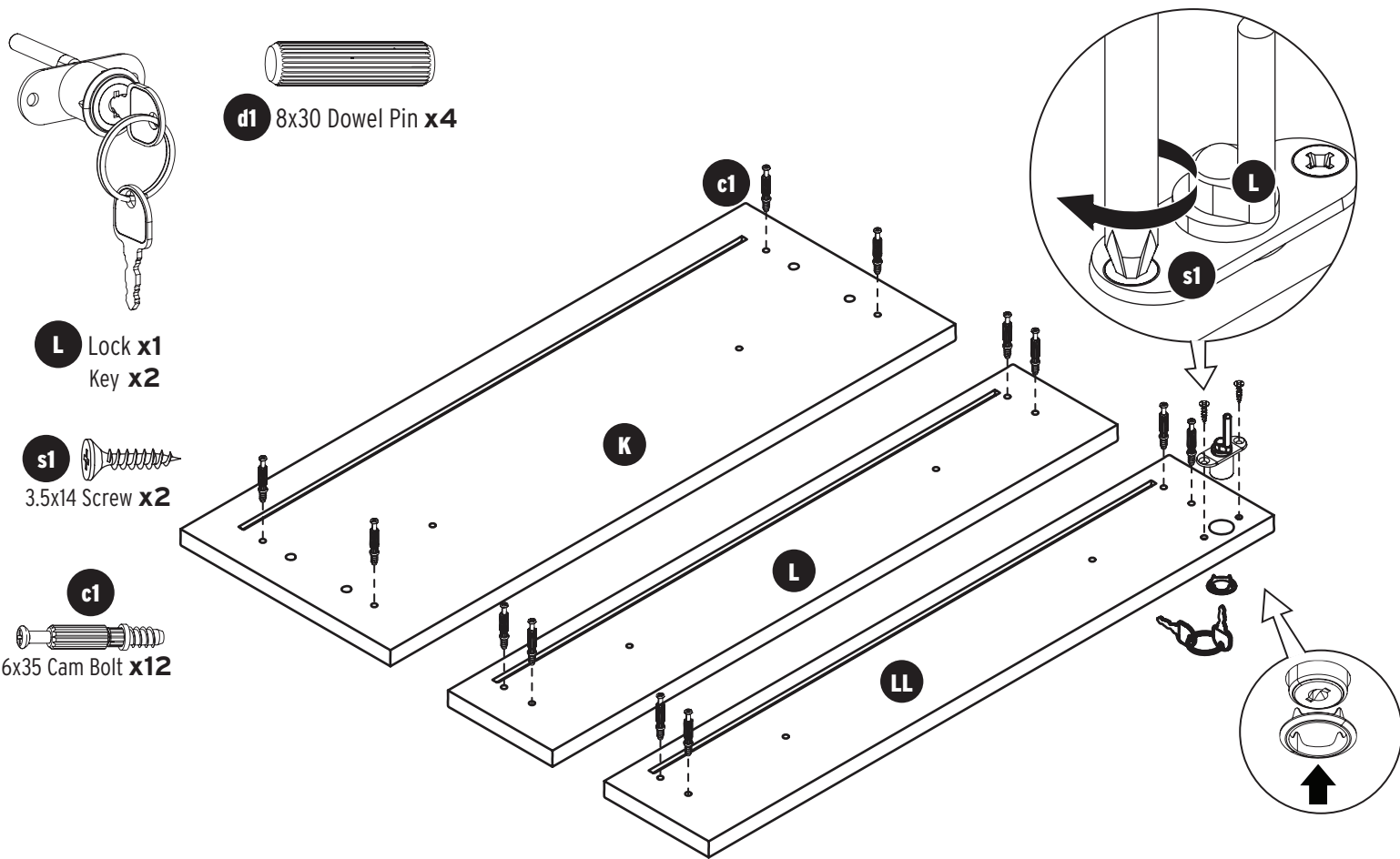
Insert **c1 Cam Bolts** into **Panel A**.



Lower **Panel A**, inserting cam bolts on **Panel A** onto cams on **Panels X, D and Z**. Tighten cam locks and apply **c2 Cam Covers**.

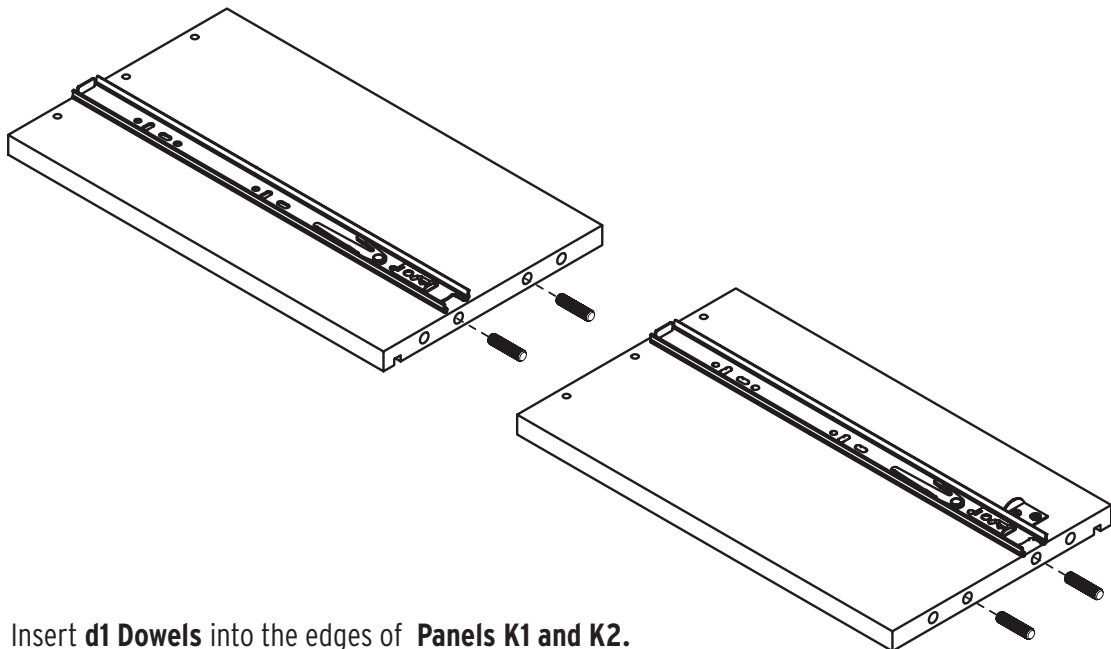


# Part 2: Drawers



Attach **c1** Cam Bolts to Panels **K**, **L** and **LL**.

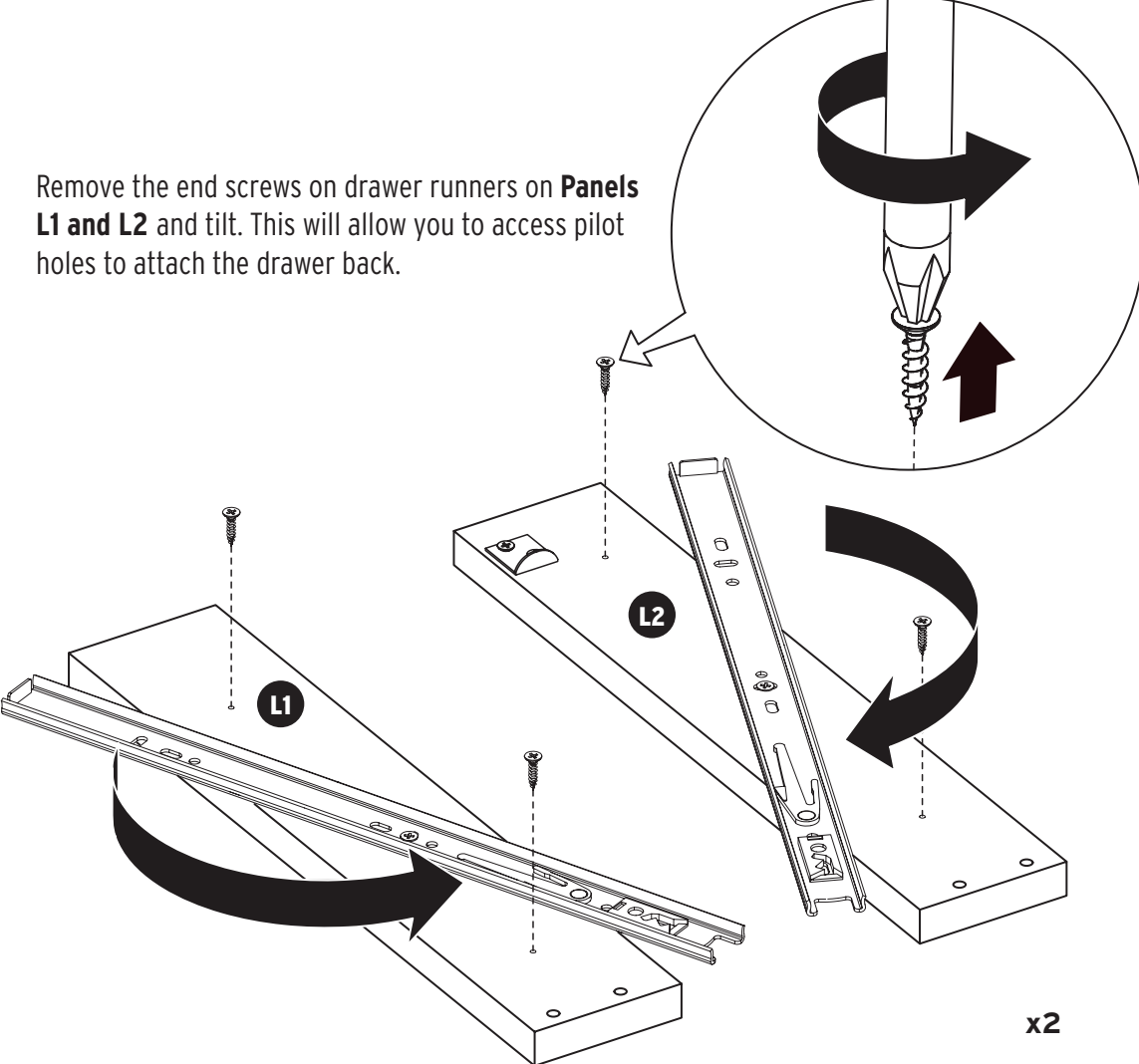
Attach **L** Lock to **Panel LL** with **s1** Screws. Be sure to install the lock mechanism exactly as shown. Press the trim kit around the lock mechanism on the front side of **Panel LL** as shown.



Insert **d1** Dowels into the edges of **Panels K1** and **K2**.

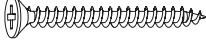
# Part 2: Drawers

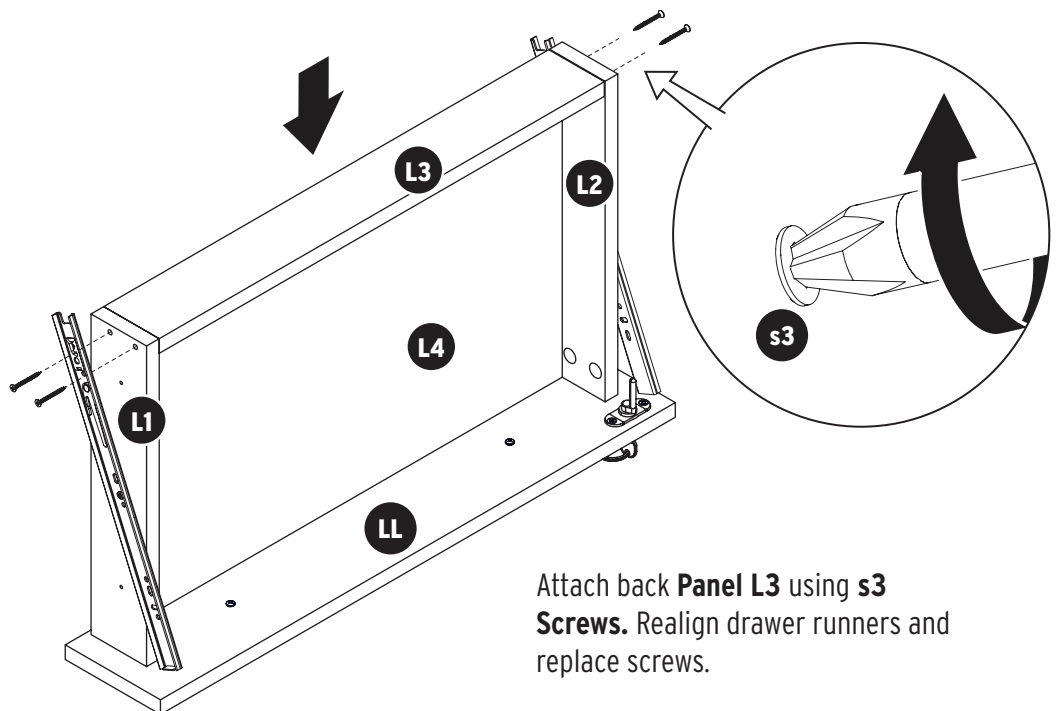
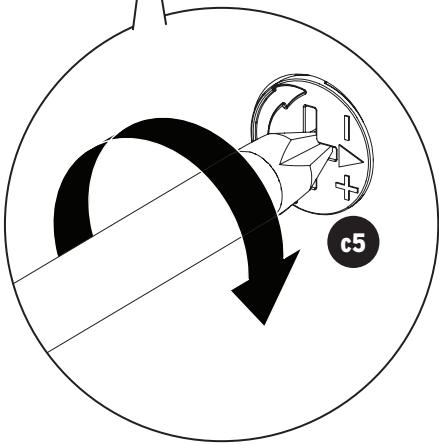
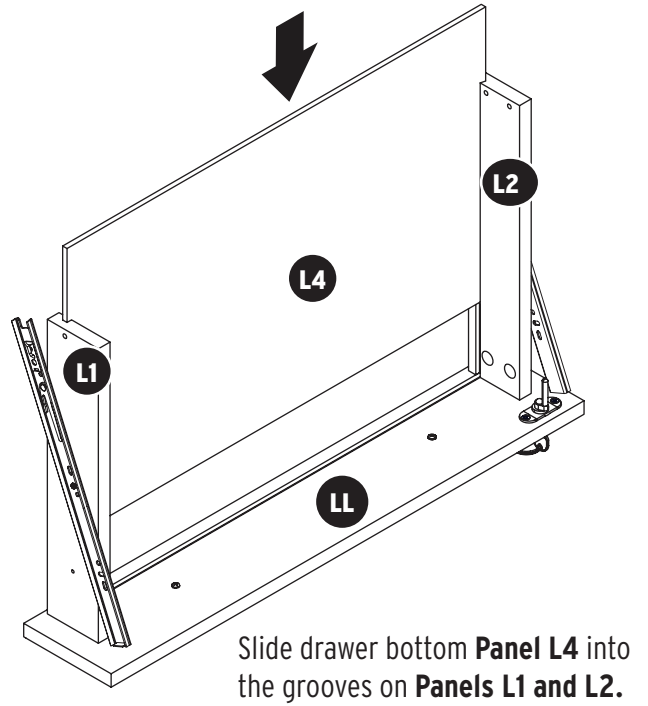
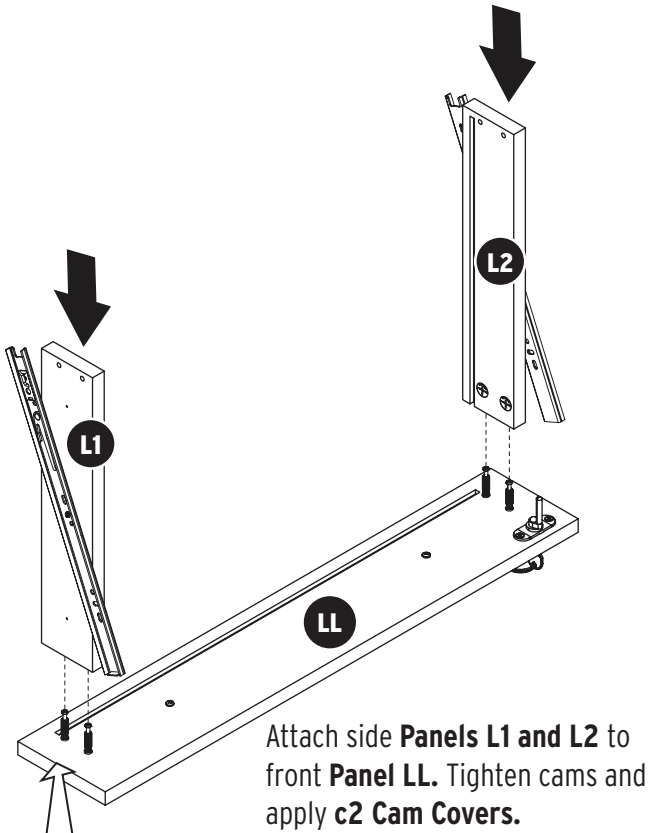
Remove the end screws on drawer runners on **Panels L1 and L2** and tilt. This will allow you to access pilot holes to attach the drawer back.



# Part 2: Drawers - Top Drawer

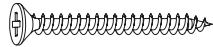
**c2**   
5/8" Cam Cover **x4**

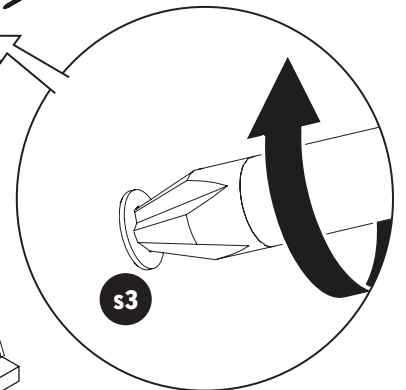
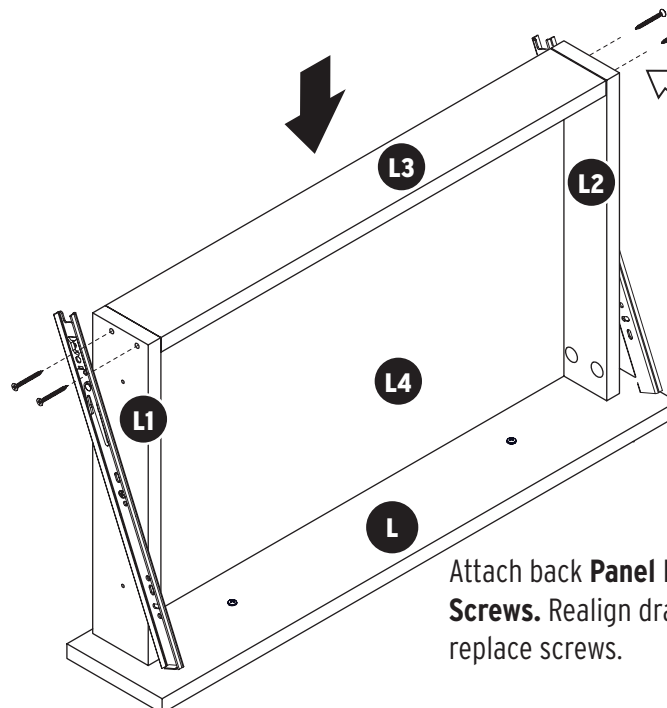
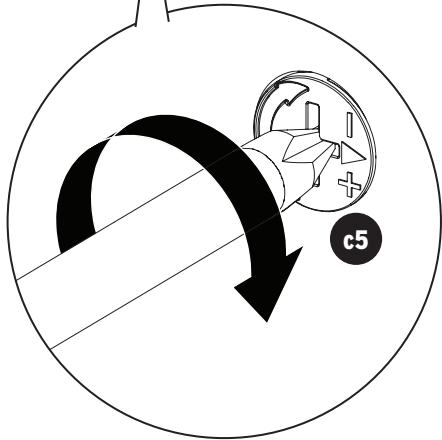
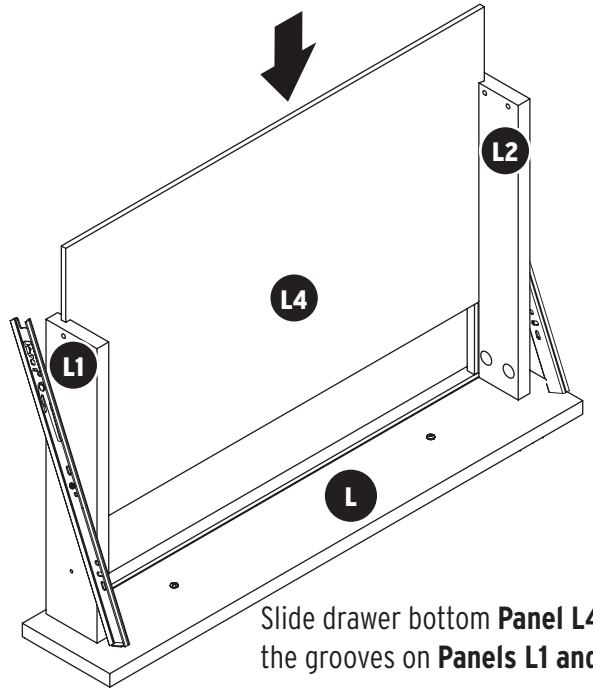
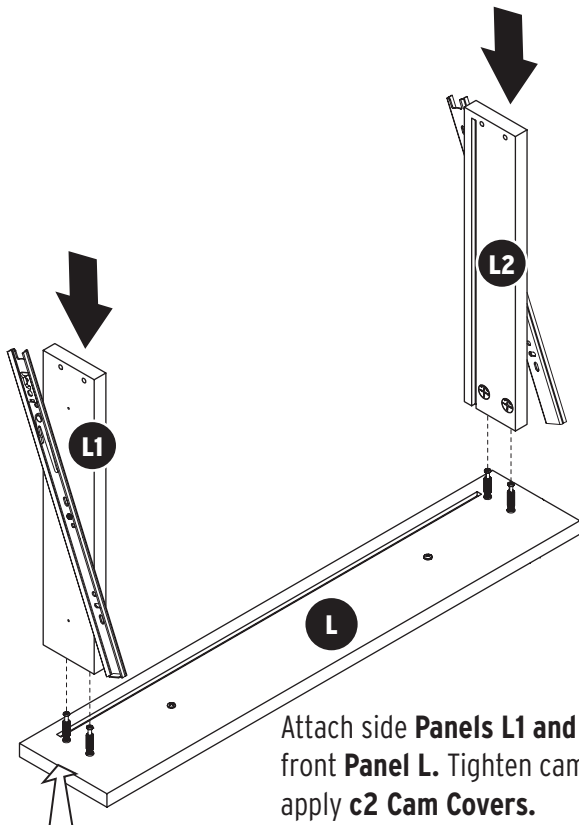
**s3**   
3.5x35 Screw **x4**



# Part 2: Drawers - Middle Drawer

**c2**   
5/8" Cam Cover **x4**

**s3**   
3.5x35 Screw **x4**



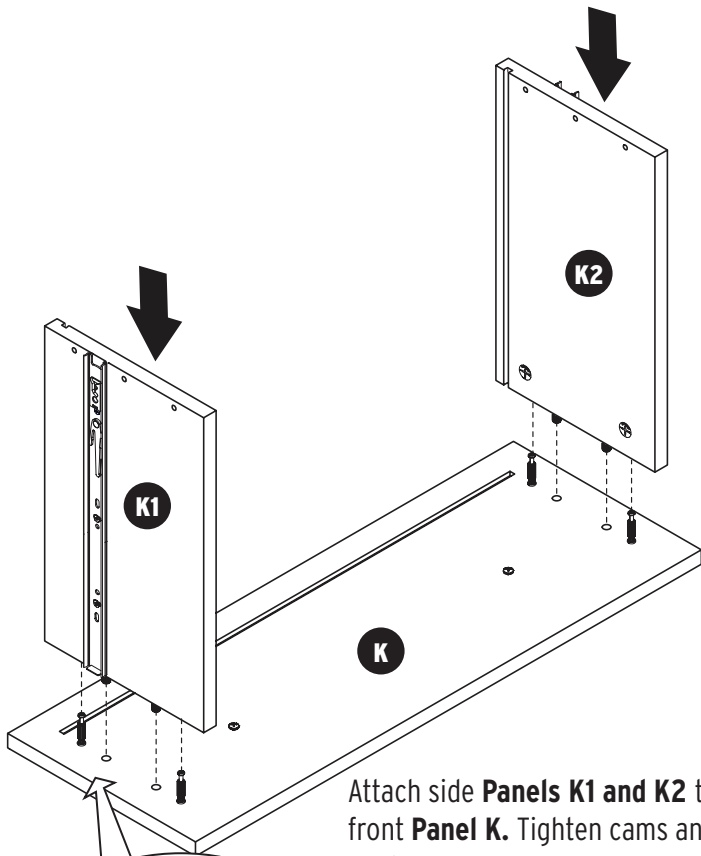
# Part 2: Drawers - Bottom Drawer



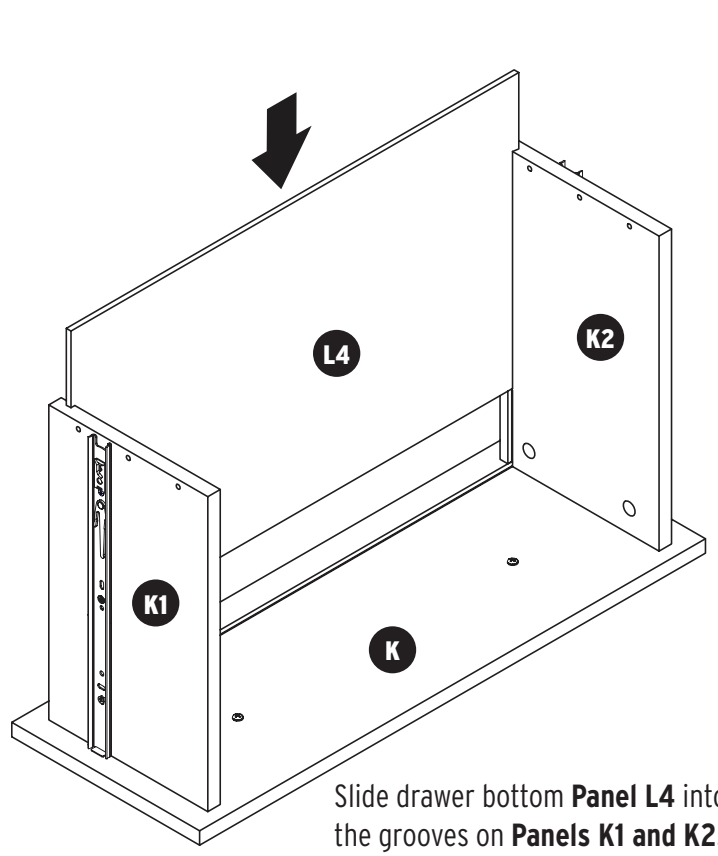
$\frac{5}{8}$ " Cam Cover **x4**



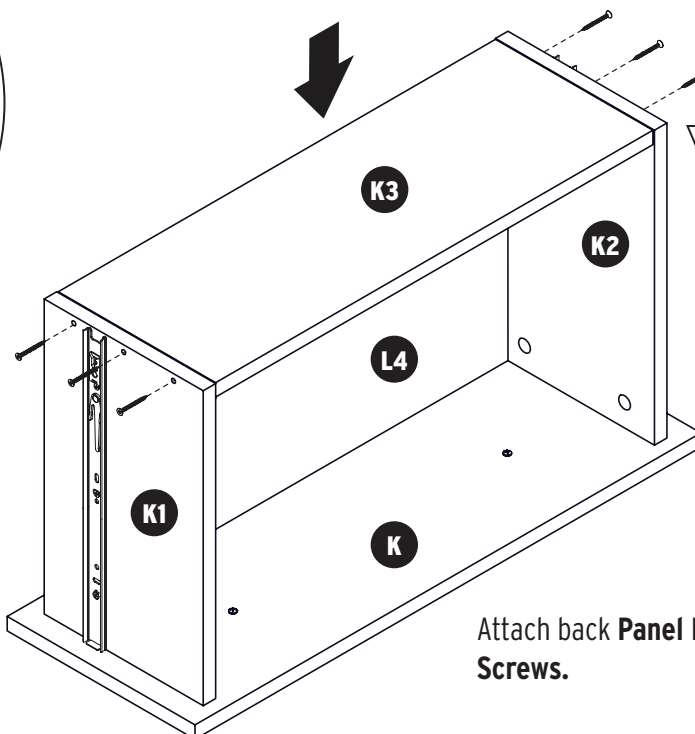
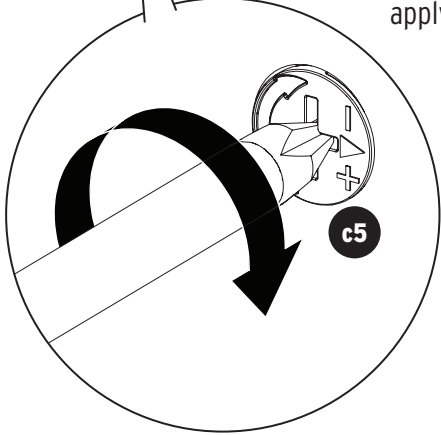
3.5x35 Screw **x6**



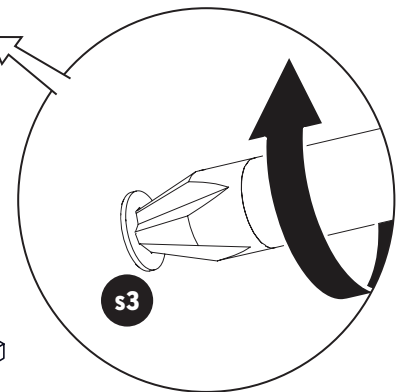
Attach side **Panels K1 and K2** to front **Panel K**. Tighten cams and apply **c2 Cam Covers**.



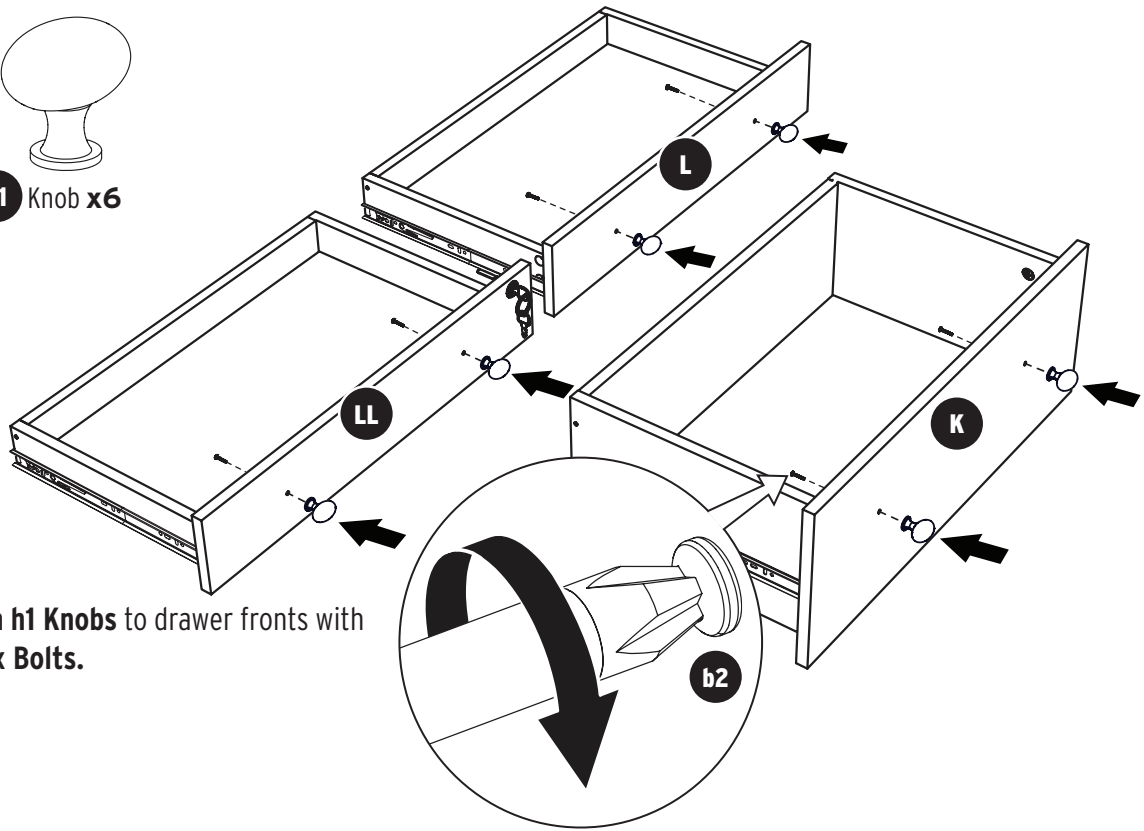
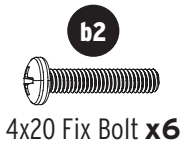
Slide drawer bottom **Panel L4** into the grooves on **Panels K1 and K2**.



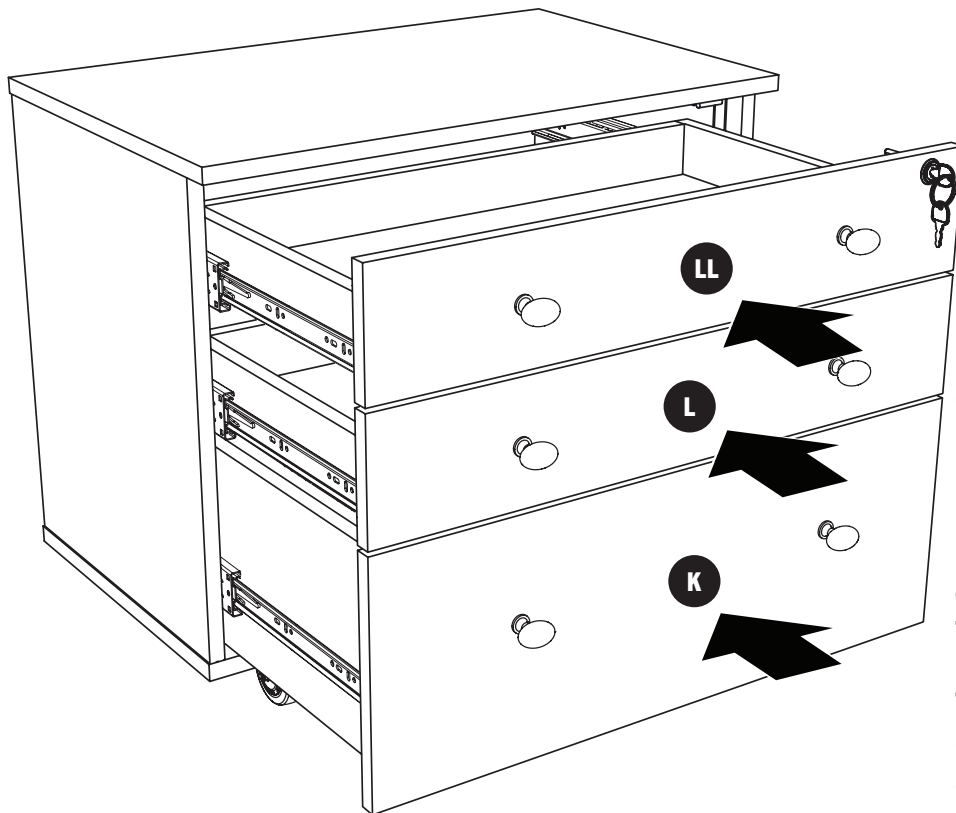
Attach back **Panel K3** using **s3 Screws**.



# Part 2: Drawers



Attach **h1 Knobs** to drawer fronts with **b2 Fix Bolts**.



Fully extend the cabinet rails, align drawer rails, and slide drawers into caddy.

**Be sure that the silver ball bearing pieces are positioned all the way to the front of the rails.**

**TIP:** Gently open and close the drawers a few times to engage the Soft Close mechanism.



**Congratulations! A better sewing experience awaits!**



KANGAROO™  
sewing furniture

## LIMITED LIFETIME WARRANTY

### Kangaroo™ Sewing Furniture Limited Lifetime Warranty

**WHAT THIS WARRANTY COVERS:** Arrow Companies, LLC "Arrow" provides a Limited Lifetime Warranty "Warranty" to the original purchaser of this product against defects in materials or workmanship of furniture components. As used in this Warranty, "defect" means imperfections in components which substantially impair the utility of the product. This Warranty gives you specific legal rights, and you may also have other rights which vary from state to state. Electrical and mechanical components of furniture are warranted for 5 years.

**HOW TO GET SERVICE:** Simply contact Arrow at 1-800-533-7347 or CS@ArrowSewing.com. When you request Warranty service, you must also present proof of purchase documentation, which includes the date of purchase (detailed receipt), and photos of the product. Arrow will replace any defective part (at its sole option), excluding labor. Replacement parts will be warranted for only the remaining period of the original Warranty.

Replacement parts will be shipped freight prepaid on any initial Warranty claim during first year of Warranty only. Warranty applies only to defects confirmed by Arrow and will be replaced or repaired at Arrow's option. In the event parts are no longer available for a Warranty claim, customer may receive a brand new cabinet at a price equal to 60% off the MSRP of a current comparable model.

**WHAT'S NOT COVERED:** There is no Warranty coverage for defects or conditions that result from the failure to follow product assembly instructions, information or warnings, misuse or abuse, intentional damage, fire, flood, alteration or modification of the product, or use of the product in a manner inconsistent with its intended use, nor any condition resulting from incorrect or inadequate maintenance, cleaning, care, or neglect, cuts or scratches, caster damage as a result of moving furniture fully loaded or with locked casters, damage resulting from electrical surge or lightning, or use in commercial or education environments. Kangaroo Sewing Furniture is designed for residential use only.

ARROW SHALL HAVE NO LIABILITY for ANY INCIDENTAL OR CONSEQUENTIAL DAMAGES OF ANY KIND and all such damages are EXCLUDED FROM THIS Warranty, such as loss of use, disassembly, transportation, labor, or damage to property on or near the product. Some states do not allow the exclusion or limitation of incidental or consequential damages, so the above limitation or exclusion may not apply to you. The Warranty cannot be transferred to subsequent owners or users of the product, and it shall be immediately void in the event the product is resold, transferred, leased or rented to any third party or person other than the original purchaser.

**ADDITIONAL LIMITATIONS:** THERE ARE NO OTHER WARRANTIES APPLICABLE TO THIS PRODUCT. Under the laws of certain states, there may be no implied warranties from Arrow and all implied warranties, INCLUDING ANY IMPLIED Warranty OF MERCHANTABILITY OR FITNESS FOR A PARTICULAR PURPOSE are disclaimed where allowed by law. TO THE EXTENT ANY IMPLIED WARRANTIES ARE APPLICABLE, ANY IMPLIED WARRANTIES, INCLUDING ANY IMPLIED Warranty OF MERCHANTABILITY OR FITNESS FOR A PARTICULAR PURPOSE, ARE LIMITED IN DURATION TO THE DURATION OF THIS EXPRESS Warranty or the minimum period allowed by law, whichever is shorter. Some states do not allow limitations on how long an implied Warranty lasts, so the above limitation may not apply to you. This limited Warranty gives you specific legal rights. This limited Warranty does not, in any way, affect the rights given to you by law.

**REGISTER YOUR PRODUCT:** Original purchaser should register the purchase online at [www.ArrowSewing.com/Warranty](http://www.ArrowSewing.com/Warranty).

SEW IN COMFORT. SEW LONGER.™

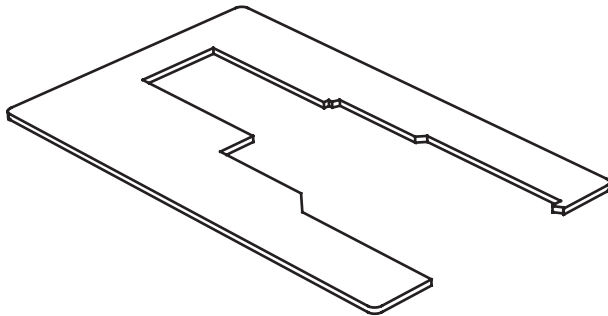


**KANGAROO™**  
sewing furniture

## Accessories to Complete Your Sewing Studio

### Custom Insert

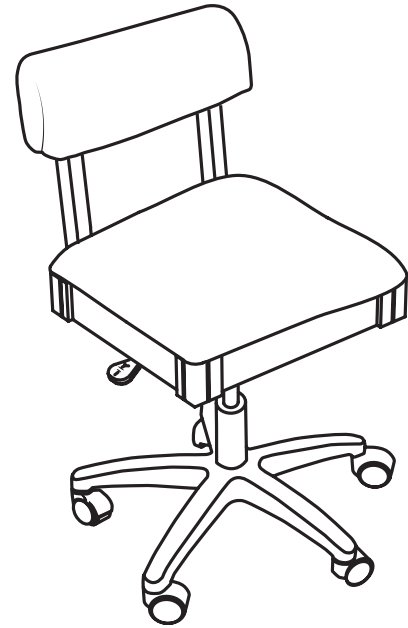
Enhance your sewing experience with a custom acrylic sewing insert! Custom acrylic sewing inserts are designed to fill the gap between your sewing machine and sewing cabinet's lift opening to create a flush, ergonomic surface for flat bed sewing. To ensure a perfect fit, custom acrylic sewing inserts are built specifically for your sewing machine and sewing cabinet combination. Say hello to happy wrists, straighter stitches, and an elevated sewing experience!



Insert

### Arrow Sewing Chairs

Arrow's #1 Rated Height Adjustable Sewing Chair is a must have accessory for your dream sewing room! Cute, comfortable and convenient - our lovable sewing chairs feature vibrant sewing themed patterns, 360 swivel access and lumbar support for long hours at your workstation. Don't look now, but under every seat cushion is a hidden storage compartment to store your notions and patterns! Available in 10 colors to perfectly match your sewing sanctuary!



Height Adjustable Sewing Chair

P.O. Box 410 Elkhorn, WI 53121  
1-800-533-7347 Ext. 1  
CS@ArrowSewing.com  
www.ArrowSewing.com

02-22

**SEW IN COMFORT. SEW LONGER.™**